

**ML-1460/ML-1460.SCI & ML-1490/ML-1490.SCI
MAXLOGIC INTELLIGENT ADDRESSABLE SYSTEM WEATHERPROOF SOUNDER & BEACON**



ML-1460/ML-1460.SCI (short circuit isolator) and ML-1490/ML-1490.SCI (short circuit isolator) Maxlogic intelligent addressable system weatherproof sounder & beacons are used to provide audible and visual alarm. Sounders are compatible with VIP communication protocol and have aesthetic design. They are suitable for outdoor use and loop powered.

PRODUCT FEATURES

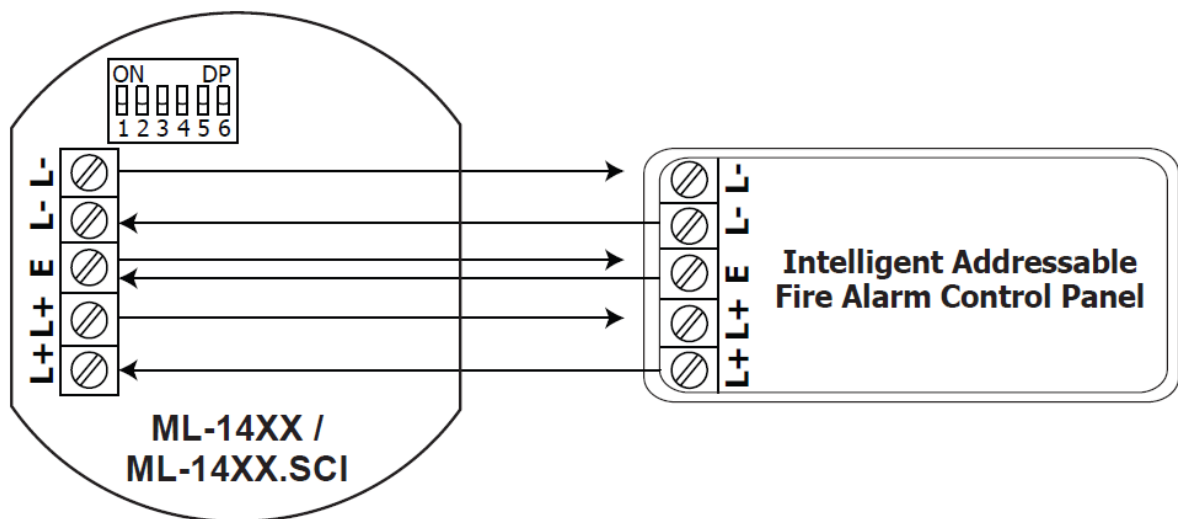
- Compatible with EN 54-23 and EN 54-3 standard
- Isolator model is compatible with EN 54-17
- Aesthetic design for outdoor use
- 'Soft' addressable by use of address programmer
- Sounder strobe can be programmed easily by loop manager
- Flasher light is scattered as cubic shape
- White, strong LED flasher
- Low or high voice power control
- IP33 or IP65 option
- Sounder strobe can be set as different 32 voice tone
- Able to integrate into the cause effect scenarios
- Compatible with MAXLOGIC series addressable panels
- Up to 90 dB(A) voice output power
- Microprocessor controlled
- Production by surface mount technology
- User friendly
- High and stable operation performance

TECHNICAL SPECIFICATIONS

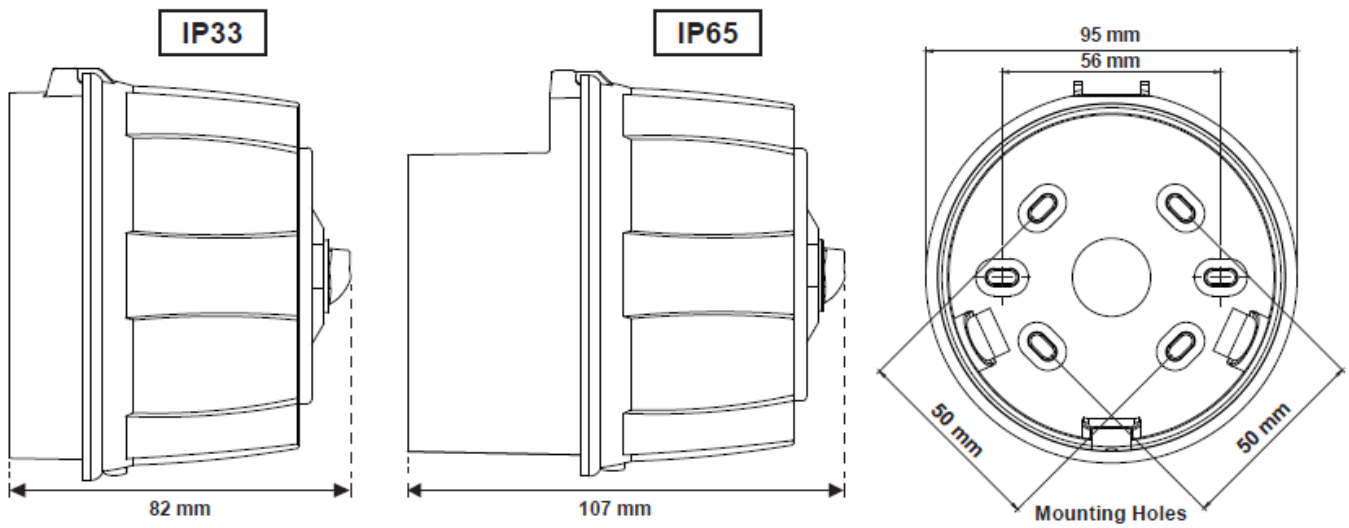
Electrical Specifications	
Supply Voltage	Loop Powered 18-33V DC
Alarm Current (max)	11,7 mA
Power (max)	0,38 W
Voice Specifications	
Voice level @1m	High volume level: 90 dB(A)
	Low volume level: 75 dB(A)
Quantity of Tones	32
Flasher Specifications	
Coverage area	2m

Flash frequency	0,5Hz
Beacon Class	O
LED Color	White
Mechanical Specifications	
Construction	PC +ABS
Dimension (mm)	IP33: 95x95x82mm IP65: 95x95x107mm
Weight	IP33: 169 gr IP65: 188 gr
Mounting type	Wall type
Mounting height	2,4m
Color	Red
Cable	1x2x0.8+0.8JH(st)H FE180/ 1x2x1.5+0.8JH(st)H FE180
Environmental Specifications	
Protection Class	ML-1460/ML-1460.SCI: IP33 ML-1490/ML-1490.SCI: IP65
Operation Temperature	(-25°C) - (+70°C)
Storage Temperature	(-30°C) - (+70°C)
Max. Relative Humidity	%95 (+40°C non-condensing)

CABLE CONNECTION



DIMENSIONS



MODELS

Product Code	Description
ML-1460	Maxlogic Intelligent Addressable System Sounder & Beacon, Weatherproof (IP33)
ML-1460.SCI	Maxlogic Intelligent Addressable System Sounder & Beacon, Weatherproof (IP33), Short Circuit Isolator
ML-1490	Maxlogic Intelligent Addressable System Sounder & Beacon, Weatherproof (IP65)
ML-1490.SCI	Maxlogic Intelligent Addressable System Sounder & Beacon, Weatherproof (IP65), Short Circuit Isolator